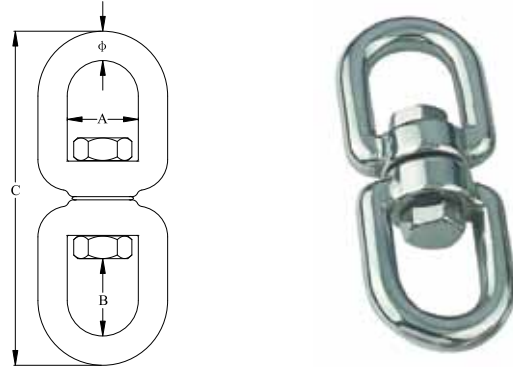


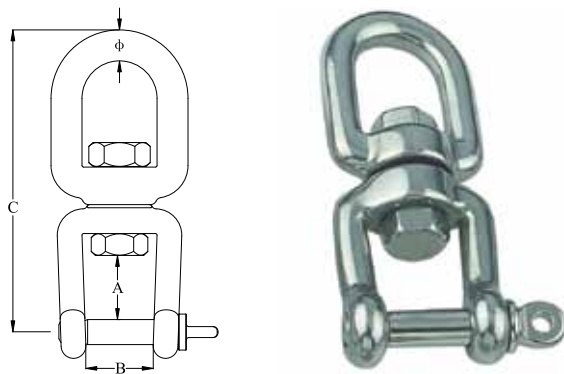


**SWIVEL EYE AND EYE, SS304 OR SS316**



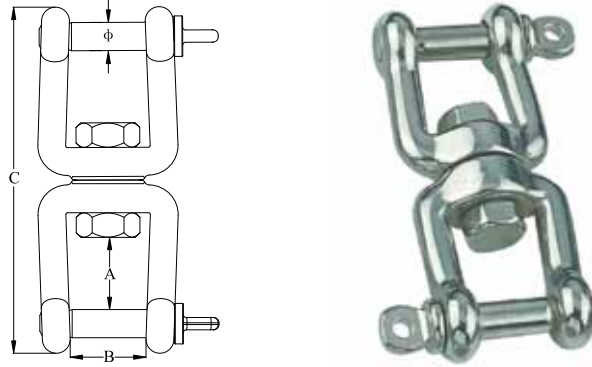
Part No. 304	Part No. 316	φ mm	A mm	B mm	C mm	SWL kgs	BL kgs
39743	<b>39754</b>	4.00	11.50	12.20	50.00	113	450
39744	<b>39755</b>	5.00	13.00	14.00	60.00	163	650
39745	<b>31265</b>	6.00	15.00	15.50	66.00	300	1200
39746	<b>31266</b>	8.00	19.00	21.50	90.00	475	1900
39747	39756	9.00	20.50	24.00	100.00	750	3000
39748	<b>31267</b>	10.00	23.50	26.50	112.00	875	3500
39749	<b>39757</b>	13.00	33.00	33.00	148.00	1250	5000
39750	39758	16.00	38.00	44.00	184.00	2125	8500
39751	39759	19.00	40.50	50.00	223.00	2500	10000
39752	39760	22.00	48.50	58.50	253.00	2875	11500
39753	39761	25.00	64.80	73.00	290.00	3250	13000

**SWIVEL EYE AND JAW, SS304 OR SS316**



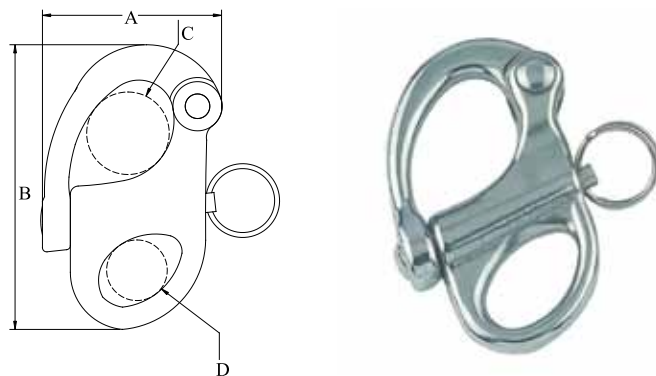
Part No. 304	Part No. 316	φ mm	A mm	B mm	C mm	SWL kgs	BL kgs
39762	<b>39768</b>	6.00	11.80	13.00	65.00	300	1200
39763	<b>39769</b>	8.00	15.50	16.50	88.00	475	1900
39764	<b>39770</b>	10.00	20.50	19.00	111.80	875	3500
39765	<b>39771</b>	13.00	25.50	26.00	146.50	1250	5000
39766	39772	16.00	36.00	31.60	183.00	2125	8500
39767	39773	19.00	40.00	34.50	219.00	2500	10000

## SWIVEL JAW AND JAW, SS304 OR SS316



Part No. 304	Part No. 316	φ mm	A mm	B mm	C mm	SWL kgs	BL kgs
39774	<b>31269</b>	6.00	12.00	12.00	64.40	300	1200
39775	<b>31270</b>	8.00	15.50	16.00	87.00	475	1900
39776	<b>31271</b>	10.00	20.50	18.50	111.00	875	3500
39777	<b>39778</b>	13.00	25.50	26.00	143.50	1250	5000
40801	<b>40818</b>	16.00	36.00	34.00	182.00	2125	8500
40805	<b>40822</b>	19.00	40.00	35.00	213.00	2500	10000

## SNAP SHACKLE FIXED EYE, SS304 OR SS316



Part No. 304	Part No. 316	A mm	B mm	C mm	D mm	SWL kgs	BL kgs
39803	<b>39807</b>	22.50	32.00	10.00	5.60	100	400
39804	<b>39808</b>	35.00	55.00	12.50	10.00	275	1100
39805	<b>39809</b>	45.00	70.00	20.00	15.00	500	2000
39806	<b>39810</b>	60.00	96.00	26.50	16.50	875	3500