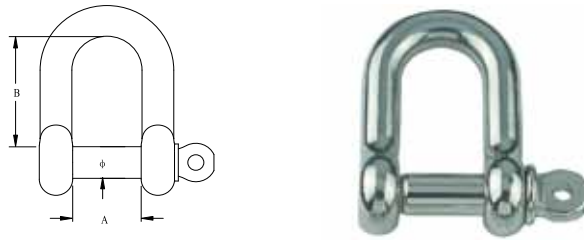


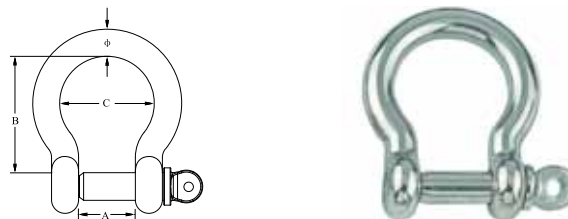
MARINE AND ARCHITECTURAL HARDWARE

STANDARD D-SHACKLE, SS304 OR SS316



Part No. 304	Part No. 316	φ mm	A mm	B mm	SWL kgs	BL kgs
39485	6967	4.00	8.30	15.00	138	550
39486	6968	5.00	11.30	17.00	250	1000
39487	6969	6.00	12.30	21.00	425	1700
39488	39498	7.00	14.00	24.50	500	2000
39489	6970	8.00	17.00	28.60	625	2500
40174	40186	9.00	18.50	32.30	800	3200
39490	6971	10.00	20.00	35.00	1025	4100
39491	19196	12.00	25.00	45.50	1350	5400
40171	40183	13.00	27.50	50.00	1525	6100
40156	40164	14.00	28.00	49.00	1625	6500
39492	33702	16.00	32.00	56.00	2200	8800
39493	39499	19.00	38.50	67.00	2500	10000

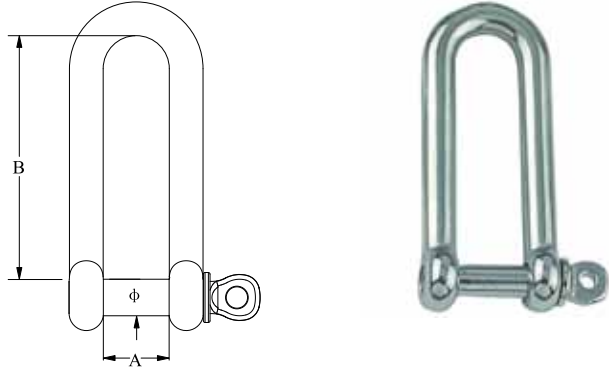
ANCHOR/BOW SHACKLE, SS304 OR SS316



Part No. 304	Part No. 316	φ mm	A mm	B mm	C mm	SWL kgs	BL kgs
39504	39517	4.00	8.00	20.00	13.00	138	550
39505	19200	5.00	10.80	23.00	17.00	300	1200
39506	19201	6.00	13.00	31.00	21.00	425	1700
39507	19202	8.00	17.50	36.50	28.00	625	2500
39508	19203	10.00	21.50	44.00	35.50	1075	4300
39509	19204	12.00	27.00	52.50	41.00	1550	6200
39510	39518	13.00	25.80	60.00	42.00	1585	6340
39511	39519	14.00	28.00	57.50	46.70	1625	6500
39512	39520	16.00	32.00	73.50	54.00	1750	7000
39513	39521	19.00	35.60	85.00	64.40	3500	14000
39514	39522	22.00	41.00	94.00	74.00	4250	17000
39515	39523	25.00	47.00	105.50	84.00	5000	20000
39516	39524	28.00	53.00	116.50	94.50	5750	23000

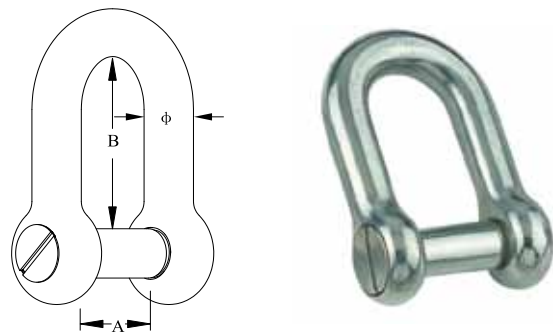


D-SHACKLE LONG TYPE, SS304 OR SS316



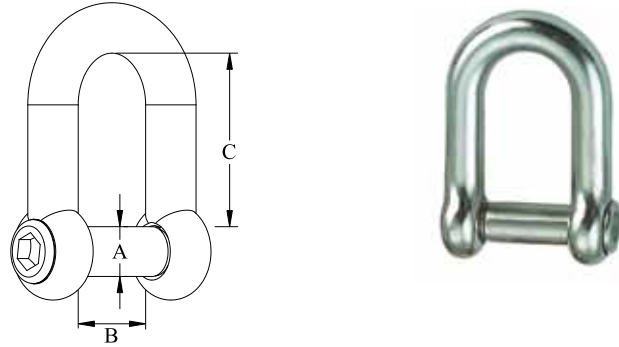
Part No. 304	Part No. 316	φ mm	A mm	B mm	SWL kgs	BL kgs
39551	39557	4.00	7.50	31.30	175	700
39552	39558	5.00	9.50	37.00	312	1250
39553	19197	6.00	13.50	45.30	450	1800
39554	19198	8.00	16.50	60.00	687	2750
39555	19199	10.00	20.80	75.50	821	3250
39556	39559	12.00	25.00	90.00	1600	6400

D-SHACKLE (WITH SLOT SINK PIN), SS304 OR SS316



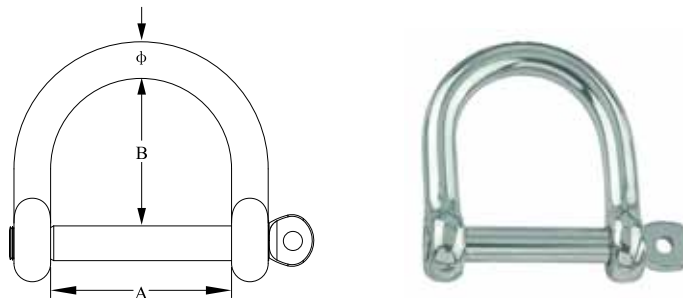
Part No. 304	Part No. 316	φ mm	A mm	B mm	SWL kgs	BL kgs
39560	39566	4.00	8.00	15.00	138	550
39561	39567	5.00	10.50	17.70	250	1000
39562	39568	6.00	13.00	21.00	425	1700
39563	39569	8.00	17.50	28.90	500	2000
39564	39570	10.00	20.00	35.00	625	2500
39565	39571	12.00	25.00	40.00	800	3200

D-SHACKLE (WITH HEXAGONAL SOCKET SINK PIN), SS304 OR SS316



Part No. 304	Part No. 316	A mm	B mm	C mm	SWL kgs	BL kgs
40159	40167	5.00	10.00	17.50	250	1000
39572	39580	6.00	13.00	20.70	425	1700
39573	39581	8.00	16.80	27.80	625	2500
39574	39582	10.00	20.00	35.00	1025	4100
39575	39583	12.00	24.60	40.50	1350	5400
39576	39584	13.00	27.00	45.80	1525	6100
39577	39585	14.00	28.90	49.00	1625	6500
39578	39586	16.00	32.00	56.00	2200	8800
39579	39587	19.00	38.00	64.00	4000	16000
40158	40166	22.00	39.00	74.00	4750	19000

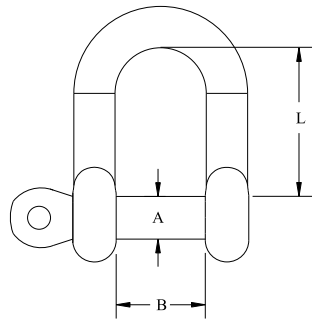
D-SHACKLE WIDE TYPE, SS304 OR SS316



Part No. 304	Part No. 316	φ mm	A mm	B mm	SWL kgs	BL kgs
39588	39593	5.00	25.50	20.40	188	750
39589	39594	6.00	24.00	33.50	338	1350
39590	39595	8.00	28.70	31.00	625	2500
39591	39596	10.00	41.50	55.00	834	3350
39592	39597	12.00	47.60	66.00	1000	4000

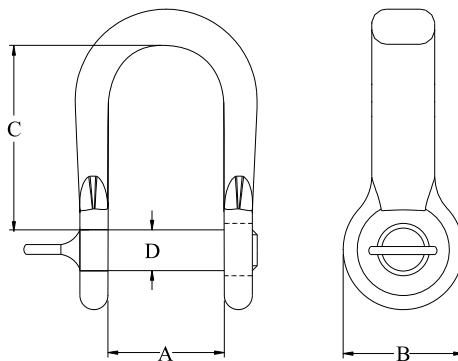


D-SHACKLE (WITH CAPTIVE PIN), SS304 OR SS316



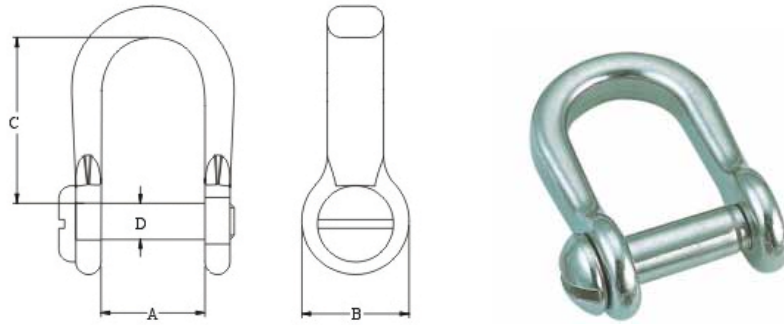
Part No. 304	Part No. 316	A mm	B mm	L mm	SWL kgs	BL kgs
40155	40163	4.00	9.00	14.80	137	550
39650	37650	5.00	10.40	17.80	250	1000
39651	37651	6.00	13.00	22.50	425	1700
40160	40168	7.00	14.70	24.50	500	2000
39652	37652	8.00	17.30	28.60	625	2500
40157	40165	9.00	18.90	32.00	800	3200
39653	37653	10.00	22.60	35.60	1025	4100
39654	39655	12.00	25.00	42.40	1350	5400
40154	40162	14.00	27.00	49.50	1625	6500
40640	40646	16.00	32.00	48.70	2200	8800

D-SHACKLE SEMI ROUND TYPE, SS304 OR SS316



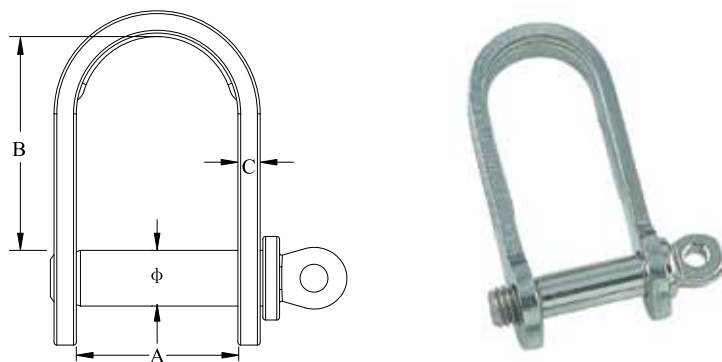
Part No. 304	Part No. 316	A mm	B mm	C mm	D mm	SWL kgs	BL kgs
39694	39697	12.00	12.00	18.50	5.00	237	950
39695	39698	13.00	13.00	22.00	6.00	375	1500
39696	39699	18.00	16.50	27.00	8.00	650	2600

D-SHACKLE SEMI ROUND TYPE (WITH SLOT SCREW PIN), SS304 OR SS316



Part No. 304	Part No. 316	A mm	B mm	C mm	D mm	SWL kgs	BL kgs
39700	39703	12.00	12.00	18.50	5.00	237	950
39701	39704	13.00	13.00	22.00	6.00	375	1500
39702	39705	18.00	16.50	27.00	8.00	650	2600

STRAP-SHACKLE WITH SCREW PIN, SS304 OR SS316



Part No. 304	Part No. 316	φ mm	A mm	B mm	C mm	SWL kgs	BL kgs
33705	<i>39708</i>	4.00	9.50	18.00	1.90	70	220
33707	<i>39709</i>	5.00	11.80	21.30	2.00	90	300
39706	<i>39710</i>	6.00	15.00	26.50	3.20	120	500
39707	39711	8.00	21.60	45.00	3.90	200	900