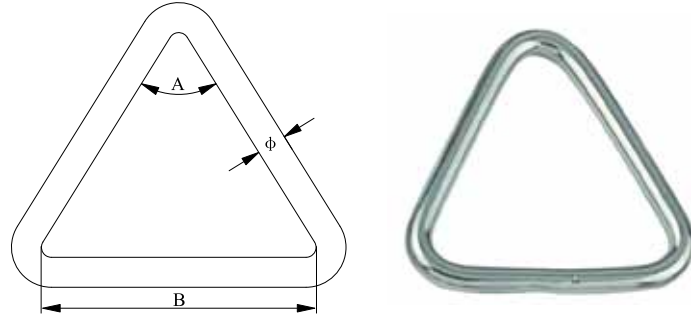


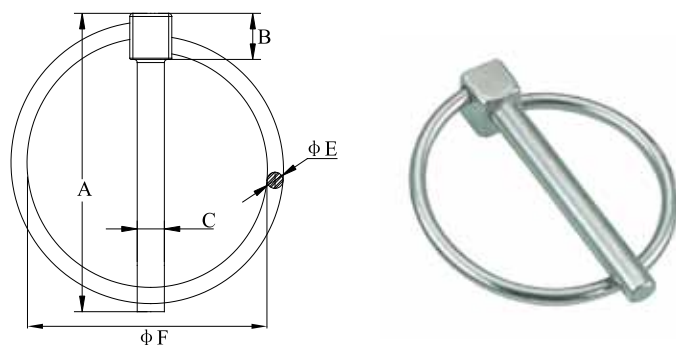


TRIANGLE RING WELDED, SS304 OR SS316



Part No. 304	Part No. 316	φ mm	A mm	B mm	SWL kgs	BL kgs
39416	39422	4.00	60°	30.00	150	600
39417	39423	5.00	60°	20.00	225	900
39418	39424	5.00	60°	30.00	325	1300
39419	39425	5.00	60°	40.00	325	1300
40968	40960	5.00	60°	44.00	325	1300
39420	39426	6.00	60°	39.50	500	2000
40254	40259	6.00	60°	45.00	500	2000
31274	39427	6.00	60°	50.80	500	2000
39421	39428	8.00	60°	45.50	700	2800
31275	39429	8.00	60°	50.00	700	2800

LINCH PIN, SS304 OR SS316



Part No. 304	Part No. 316	A mm	B mm	C mm	φ E mm	φ F mm
39402	39406	47.90	7.20	4.20	2.50	37.80
39403	39407	55.90	7.60	6.00	3.20	40.50
39404	39408	56.40	8.60	7.50	3.20	41.40
39405	39409	56.80	10.70	10.60	3.20	44.00