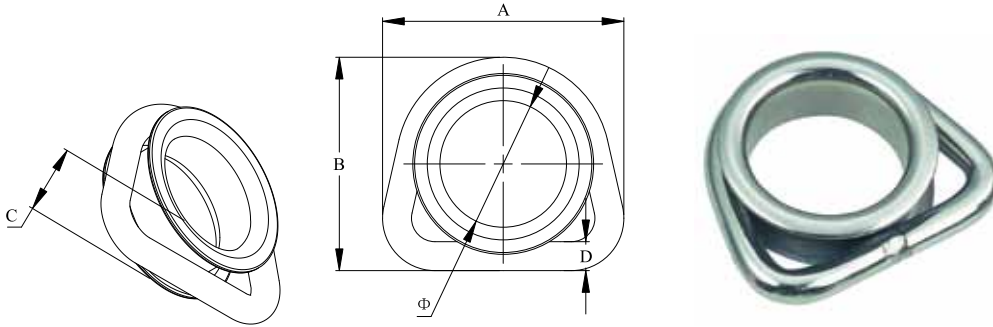
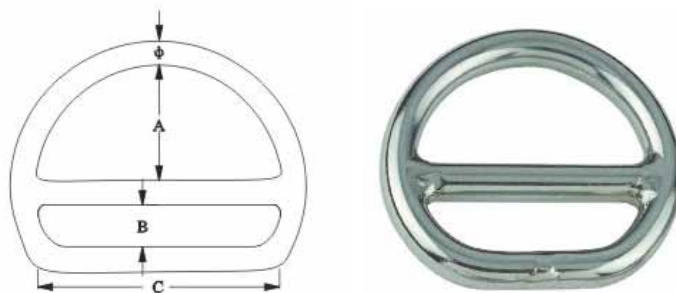


DEE RING THIMBLE, SS304 OR SS316



Part No. 304	Part No. 316	ϕ mm	A mm	B mm	C mm	D mm
39390	39391	35.00	66.50	59.00	19.00	8.00

DOUBLE LAYER DEE RING WELDED, SS304 OR SS316



Part No. 304	Part No. 316	ϕ mm	A mm	B mm	C mm	SWL kgs	BL kgs
39392	39397	5.00	25.00	10.00	45.00	250	1000
39393	39398	6.00	25.00	10.00	45.00	450	1800
39394	39399	6.00	28.00	10.00	50.00	450	1800
39395	39400	8.00	25.00	10.00	45.00	700	2800
39396	39401	8.00	28.00	10.00	50.00	700	2800