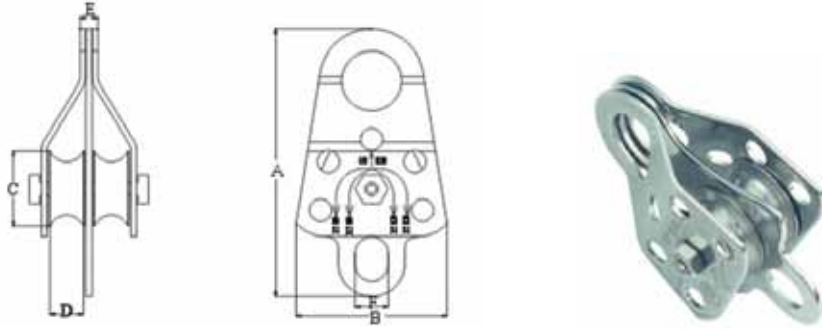


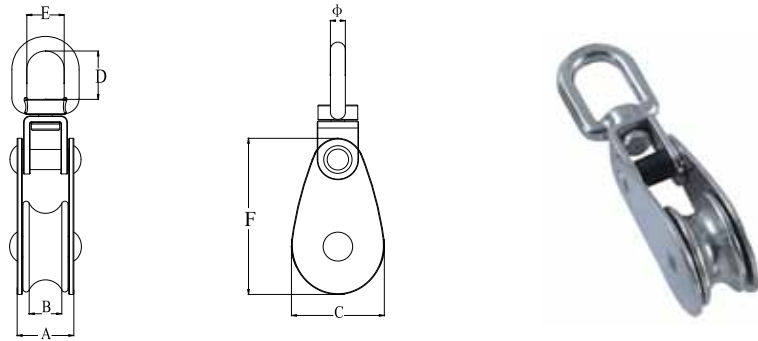


PULLEY (DOUBLE SHEAVES), SS304 OR SS316



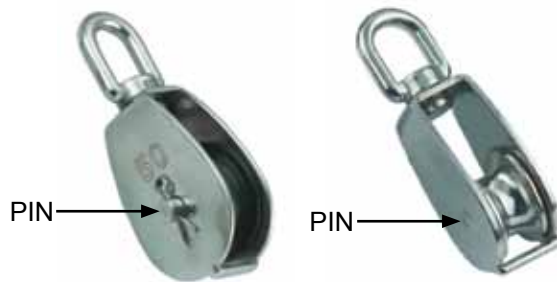
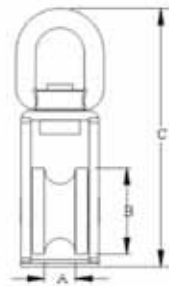
Part No. 304	Part No. 316	A mm	B mm	C mm	D mm	E mm	F mm	SWL kgs	BL kgs
41244	41245	121.00	68.00	34.00	15.00	8.00	15.00	1200	4800

MAME SWIVEL BLOCK (STAINLESS CAST SHEAVE), SS304 OR SS316



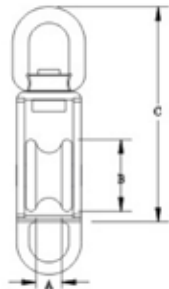
Part No. 304	Part No. 316	φ mm	A mm	B mm	C mm	D mm	E mm	F mm	SWL kgs	BL kgs
41236	41239	5.00	19.20	9.50	27.30	17.00	13.00	49.30	375	1500
41237	41240	5.90	19.80	10.00	35.00	19.00	14.50	60.30	425	1700
41238	41241	7.80	25.00	13.00	54.00	27.00	19.00	85.00	700	2800

MAME SWIVEL BLOCK (STAINLESS CAST SHEAVE), SS304 OR SS316



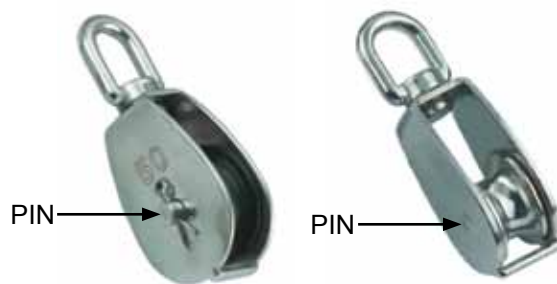
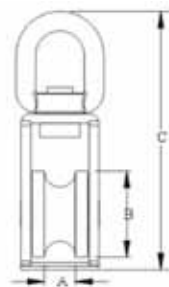
Part No. 304	Part No. 316	A mm	B mm	C mm	SWL kgs	BL kgs	PIN
41246	41249	10.00	28.00	82.00	375	1500	WELDED
41247	41250	12.00	31.00	95.00	425	1800	WELDED
41248	41251	14.00	50.00	128.00	700	3500	REMOVABLE SPLIT PIN

MAME SWIVEL BLOCK (STAINLESS CAST SHEAVE WITH EYE END), SS304 OR SS316



Part No. 304	Part No. 316	A mm	B mm	C mm	SWL kgs	BL kgs
41252	41255	10.50	27.00	80.00	375	1500
41253	41256	12.00	32.00	121.00	425	1800
41254	41257	14.20	50.50	127.00	700	3500

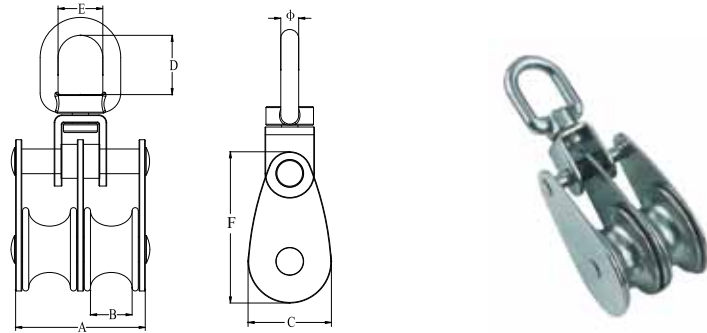
MAME SWIVEL BLOCK (NYLON SHEAVE), SS304 OR SS316



Part No. 304	Part No. 316	A mm	B mm	C mm	PIN
41258	41261	10.00	25.00	79.00	WELDED
41259	41262	11.00	32.00	95.00	WELDED
41260	41263	14.80	49.70	128.00	REMOVABLE SPLIT PIN

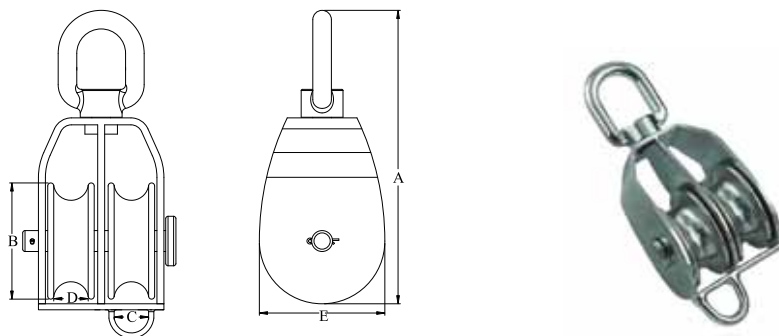


MAME SWIVEL BLOCK (DOUBLE CAST SHEAVE), SS304 OR SS316



Part No. 304	Part No. 316	φ mm	A mm	B mm	C mm	D mm	E mm	F mm	SWL kgs	BL kgs
41270	41273	5.00	37.80	10.00	27.00	17.00	13.00	49.00	238	950
41271	41274	6.00	38.00	10.20	35.00	20.00	15.00	60.00	238	950
41272	41275	8.00	51.30	15.20	54.00	26.00	20.90	85.00	700	2800

MAME SWIVEL BLOCK (DOUBLE CAST SHEAVE WITH EYE END), SS304 OR SS316



Part No. 304	Part No. 316	A mm	B mm	C mm	D mm	E mm	SWL kgs	BL kgs
41276	41279	81.00	25.00	11.80	14.00	30.00	500	2000
41277	41280	95.00	32.00	11.80	14.00	35.60	575	2300
41278	41281	129.00	50.00	15.00	15.30	54.00	850	3400