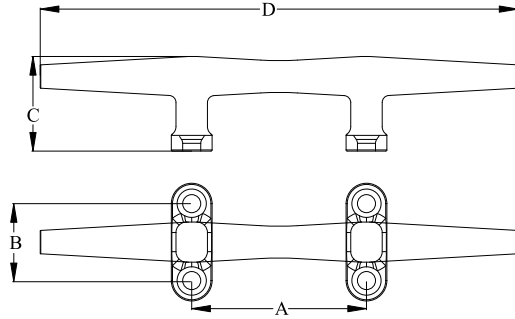


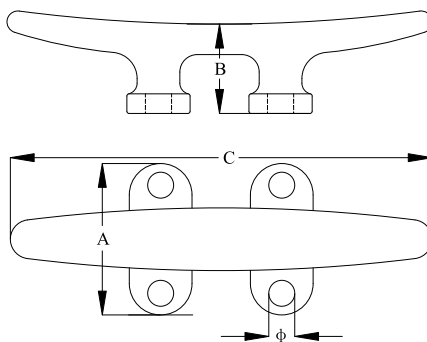


**LOW FLAT CLEAT, SS304 OR SS316**



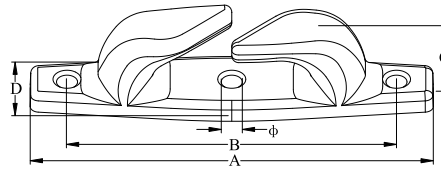
Part No. 304	Part No. 316	A mm	B mm	C mm	D mm
40202	<b>40208</b>	37.80	22.50	23.00	97.50
40203	<i>40209</i>	47.50	24.50	25.80	121.50
40204	<b>40210</b>	54.00	27.00	30.50	155.00
40205	<b>40211</b>	69.00	33.00	37.00	200.00
40200	<b>40206</b>	89.00	46.00	47.00	246.00
40201	<i>40207</i>	91.00	46.00	54.50	295.00

**TRIM LINE CLEAT, SS304 OR SS316**



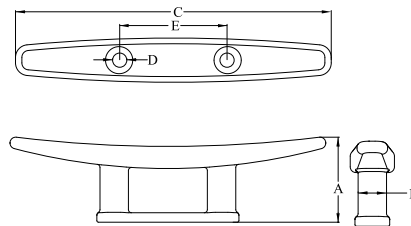
Part No. 304	Part No. 316	φ mm	A mm	B mm	C mm
40190	<b>40196</b>	6.20	34.50	20.80	96.80
40191	<b>40197</b>	6.00	45.00	24.00	121.00
40192	<b>40198</b>	6.00	52.00	27.50	145.00
40193	<b>40199</b>	8.00	61.30	31.00	195.00
40188	<b>40194</b>	8.00	73.30	40.00	243.00
40189	<b>40195</b>	8.00	82.00	45.50	292.00

## SKENE CHOCKS, SS304 OR SS316



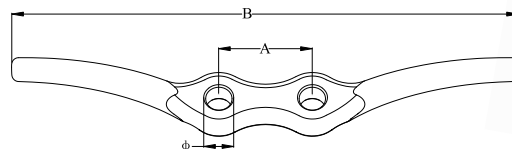
Part No. 304	Part No. 316	$\phi$ mm	A mm	B mm	C mm	D mm
40213	<b>40215</b>	5.00	116.00	97.50	25.60	23.00
40216	<b>40218</b>	5.00	116.00	97.50	25.60	23.00
40212	<b>40214</b>	6.00	153.50	124.50	29.50	34.50
40217	<b>40219</b>	6.00	153.60	124.50	29.50	34.50

## BLUE WATER CLEAT, SS304 OR SS316



Part No. 304	Part No. 316	A mm	B mm	C mm	D mm	E mm
40222	<b>40228</b>	23.50	8.70	100.00	4.50	30.00
40223	40229	30.00	10.50	124.00	5.50	40.00
40224	<b>40230</b>	32.50	12.00	149.00	6.50	45.00
40225	<b>40231</b>	42.00	15.60	200.00	8.50	55.00
40220	40226	49.90	15.80	250.00	8.30	71.00
40221	40227	65.00	14.00	297.00	8.00	90.00

## ROPE CLEAT, SS304 OR SS316



Part No. 304	Part No. 316	$\phi$ mm	A mm	B mm
40238	<b>40241</b>	4.00	10.00	68.00
40239	<b>40242</b>	5.90	20.50	114.00
40240	<b>40243</b>	6.70	23.00	150.00