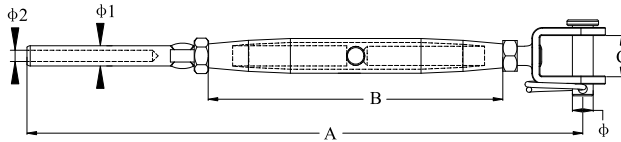


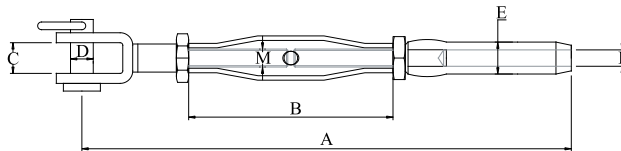


**RIGGING SCREW/ PIPE TURNBUCKLE (JAW AND SWAGE TERMINAL),  
SS304 OR SS316**



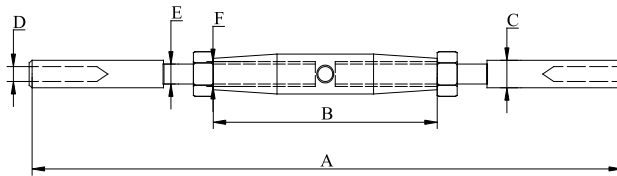
Part No. 304	Part No. 316	φ mm	φ1 mm	φ2 mm	A mm	B mm	C mm	ROPE mm	SWL kgs	BL kgs
41452	<b>41459</b>	5.00	5.50	2.80	155.00	80.00	10.00	2.50	150	600
41453	<b>37681</b>	5.00	6.20	3.50	155.00	82.00	6.80	3.20	200	800
<b>37657</b>	<b>41460</b>	6.00	6.35	3.30	176.00	92.00	10.00	3.20	250	1000
<b>37658</b>	<b>41461</b>	6.00	7.40	4.30	174.00	92.00	10.50	4.00	300	1200
<b>37659</b>	<b>41462</b>	8.00	7.50	4.30	190.00	112.00	11.00	4.00	350	1400
<b>37660</b>	<b>41454</b>	10.00	9.00	5.30	237.00	120.00	15.00	5.00	550	2200
<b>37674</b>	<b>41455</b>	12.00	12.58	6.30	288.00	150.00	17.00	6.00	1000	4000
41449	<b>41456</b>	14.00	14.20	7.30	331.00	170.00	15.00	7.00	1350	5400
41450	<b>41457</b>	16.00	16.00	8.30	372.00	190.00	20.00	8.00	1625	6500
41451	<b>41458</b>	20.00	20.00	10.30	459.00	220.00	30.00	10.00	2125	8500

**MINI RIGGING SCREW/ PIPE TURNBUCKLE (JAW AND SWAGE TERMINAL),  
SS304 OR SS316**



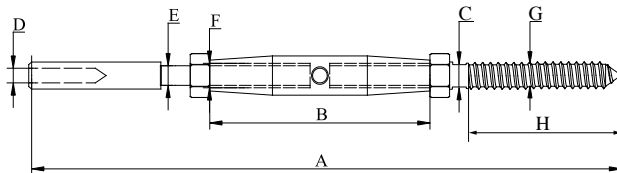
Part No. 304	Part No. 316	A mm	B mm	C mm	D mm	E mm	F mm	M mm	ROPE mm
41464	<b>41468</b>	110.50	45.00	7.00	4.90	6.30	3.60	M5	3.20
41465	<b>41469</b>	144.00	61.00	8.50	5.90	7.50	4.40	M6	4.00
41466	<b>41470</b>	155.00	60.00	11.50	7.90	9.00	5.30	M8	5.00
41463	<b>41467</b>	203.00	80.00	14.90	9.90	12.60	6.50	M10	6.00

## RIGGING SCREW (SWAGE AND SWAGE), SS304 OR SS316



Part No. 304	Part No. 316	A mm	B mm	C mm	D mm	E mm	F mm	ROPE mm
41471	<b>41472</b>	188.00	80.80	6.30	3.60	5.00	M5	3.20

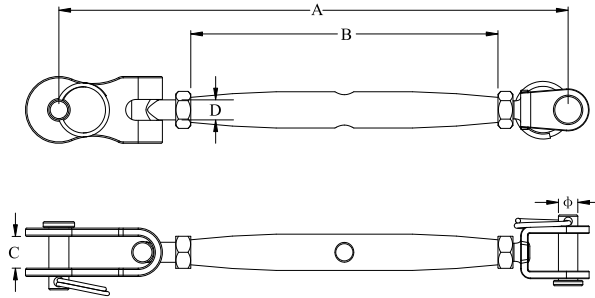
## RIGGING SCREW (LAG AND SWAGE), SS304 OR SS316



Part No. 304	Part No. 316	A mm	B mm	C mm	D mm	E mm	F mm	G mm	H mm	WIRE mm
-	<b>43615</b>	187.00	82.00	4.00	3.50	4.9	M5	4.50	40.30	3.20

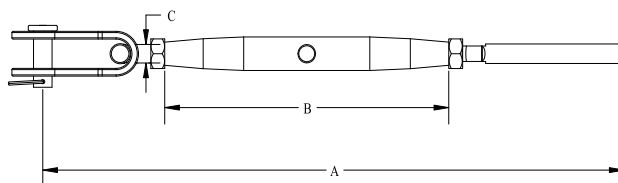


**RIGGING SCREW/ PIPE TURNBUCKLE (SWIVEL TOGGLE AND JAW), SS304 OR SS316**



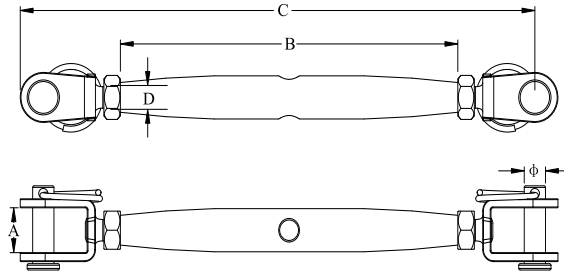
Part No. 304	Part No. 316	φ mm	A mm	B mm	C mm	D mm	SWL kgs	BL kgs
41409	<b>41413</b>	6.00	166.00	92.00	8.50	M6	238	950
41410	<b>41414</b>	8.00	200.00	112.00	11.00	M8	450	1800
41411	<b>41415</b>	10.00	236.00	120.00	14.50	M10	625	2500
41412	<b>41416</b>	12.00	285.00	152.00	18.40	M12	925	3700

**RIGGING SCREW/ PIPE TURNBUCKLE (SWIVEL TOGGLE AND SWAGE TERM), SS304 OR SS316**



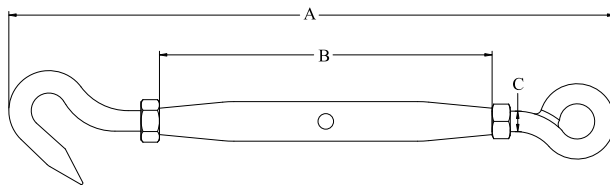
Part No. 304	Part No. 316	A mm	B mm	C mm	SWL kgs	BL kgs	ROPE mm
41419	<b>41423</b>	192.00	93.00	M6	238	950	3.20
41420	<b>41424</b>	230.00	111.00	M8	450	1800	4.00
41417	<b>41421</b>	263.00	120.00	M10	625	2500	5.00
41418	<b>41422</b>	330.00	150.00	M12	925	3700	6.00

## RIGGING SCREW/ PIPE TURNBUCKLE (JAW AND JAW), SS304 OR SS316



Part No. 304	Part No. 316	φ mm	A mm	B mm	C mm	D mm	SWL kgs	BL kgs
-	<b>44448</b>	4.90	7.50	50.00	115.00	M5	150	600
<b>33476</b>	<b>41390</b>	5.00	10.30	81.00	138.00	M5	189	750
<b>33477</b>	<b>41391</b>	6.00	10.30	92.00	153.00	M6	350	1400
<b>33478</b>	<b>41392</b>	8.00	11.20	112.00	188.00	M8	550	2200
<i>41380</i>	<b>41385</b>	10.00	15.00	121.00	212.00	M10	865	3450
<i>41381</i>	<b>41386</b>	12.00	17.50	150.00	266.00	M12	1250	5000
<i>41382</i>	<b>41387</b>	14.00	15.50	169.00	318.00	M14	1600	6400
<i>41383</i>	<b>41388</b>	16.00	22.00	190.00	355.00	M16	2000	8000
<i>41384</i>	<b>41389</b>	20.00	27.50	223.00	452.00	M20	2625	10500

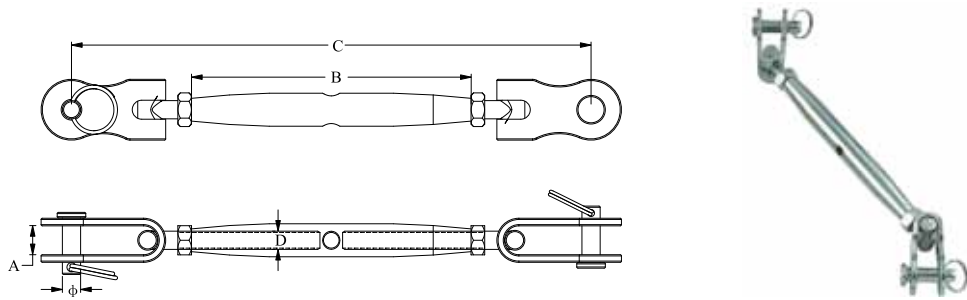
## RIGGING SCREW/ PIPE TURNBUCKLE (HOOK AND EYE), SS304 OR SS316



Part No. 304	Part No. 316	A mm	B mm	C mm	SWL kgs	BL kgs
<i>41398</i>	<b>41406</b>	134.00	80.00	M5	33	130
<i>41399</i>	<b>41407</b>	163.00	90.00	M6	88	350
<i>41400</i>	<b>41408</b>	191.00	105.00	M8	163	650
<i>41393</i>	<i>41401</i>	233.00	125.00	M10	200	800
<i>41394</i>	<i>41402</i>	267.00	150.00	M12	350	1400
<i>41396</i>	<i>41404</i>	344.00	190.00	M16	600	2400
<i>41397</i>	<i>41405</i>	444.00	210.00	M20	875	3500

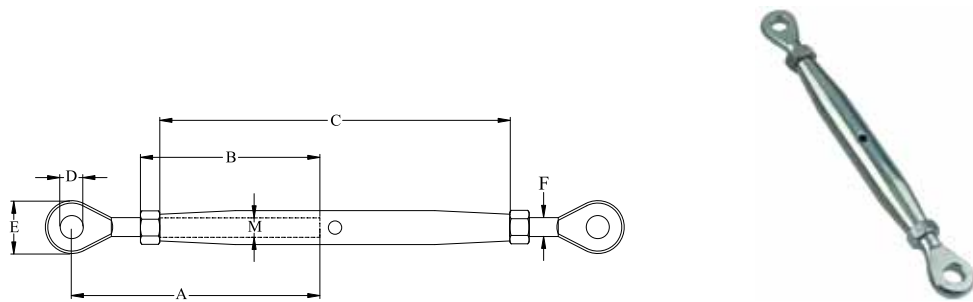


**RIGGING SCREW/ PIPE TURNBUCKLE (WIDE AND WIDE TOGGLE), SS304 OR SS316**



Part No. 304	Part No. 316	φ mm	A mm	B mm	C mm	D mm	SWL kgs	BL kgs
41427	<b>41431</b>	6.00	11.60	92.00	185.00	M6	275	1100
41428	<b>41432</b>	8.00	13.00	112.00	213.00	M8	450	1800
<b>41425</b>	<b>41429</b>	10.00	17.50	121.00	255.00	M10	750	3000
41426	<b>41430</b>	12.00	24.50	150.00	306.00	M12	938	3750

**RIGGING SCREW/ PIPE TURNBUCKLE (EYE AND EYE), SS304 OR SS316**



Part No. 304	Part No. 316	A mm	B mm	C mm	D mm	E mm	F mm	M mm	SWL kgs	BL kgs
41438	<b>41446</b>	63.80	41.50	81.00	5.60	12.00	4.40	M5	188	750
41439	<b>41447</b>	61.50	48.00	92.00	6.50	13.50	4.00	M6	250	1000
41440	<b>41448</b>	80.00	63.60	111.60	8.60	16.60	7.00	M8	550	2200
41433	41441	88.00	69.00	119.00	10.80	20.80	8.80	M10	750	3000
41434	41442	109.50	88.00	150.00	13.00	25.60	10.70	M12	1250	5000
41435	41443	125.50	92.50	170.00	13.00	27.40	9.00	M14	1525	6100
41436	41444	136.00	110.00	190.00	14.50	30.50	14.30	M16	2000	8000
41437	41445	169.00	120.00	220.00	19.50	29.00	15.00	M20	2625	10500