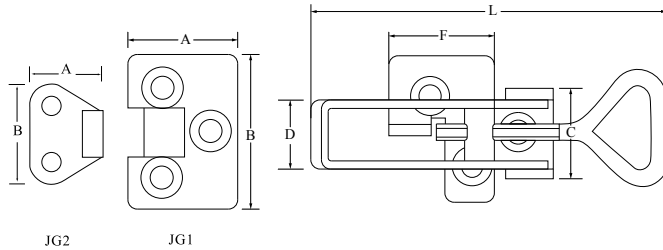


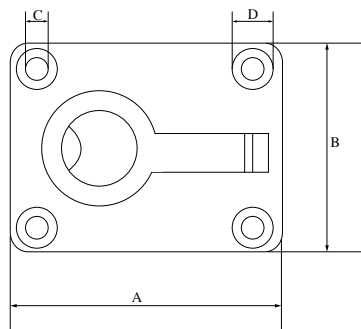


TOGGLE LATCH ADJUSTABLE AND LOCKABLE, SS304



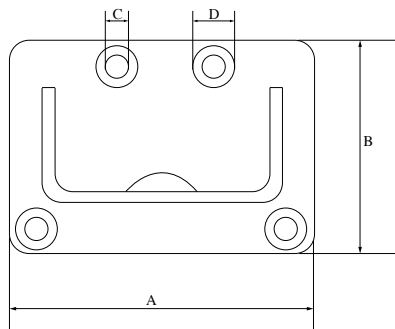
| Part No. 304 | Size | L mm | A mm | B mm | C mm | D mm | F mm |
|-----------------|------|---------|---------|---------|---------|---------|---------|
| 19980 | JG1 | 78-87 | 24.00 | 33.00 | 18.00 | 14.00 | 24.00 |
| 34187 | JG2 | 110-120 | 22.00 | 30.00 | 25.00 | 20.00 | 35.00 |

FLUSH PULL, SS316



| Part No. 316 | A mm | B mm | C mm | D mm |
|-----------------|---------|---------|---------|---------|
| 44459 | 62.00 | 44.50 | 4.50 | 7.80 |

FLUSH PULL, SS316



| Part No. 316 | A mm | B mm | C mm | D mm |
|-----------------|---------|---------|---------|---------|
| 44460 | 78.00 | 58.00 | 4.50 | 7.80 |