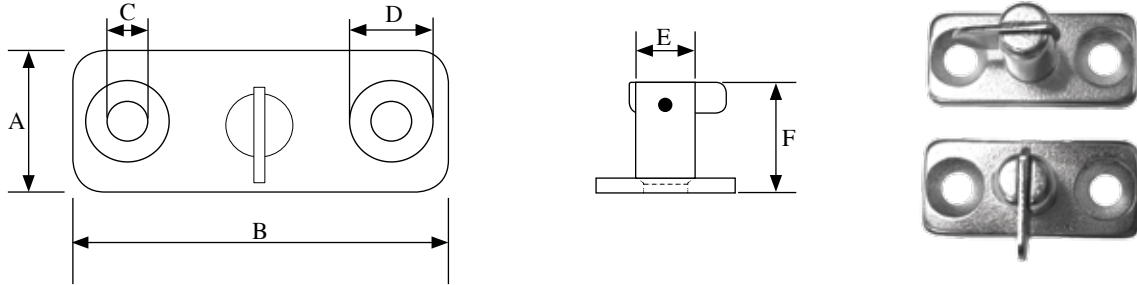


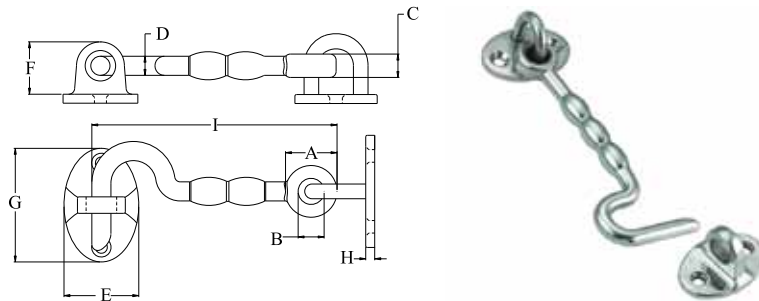


STAY-PUT (HORIZONTAL AND VERTICAL), SS316



Part No. 316	A mm	B mm	C mm	D mm	E mm	F mm	ORIENTATION
44512	16.0	35.0	5.5	9.5	9.0	19.0	VERTICAL
44513	16.0	35.0	5.5	9.5	9.0	16.0	VERTICAL
44514	16.0	35.0	5.5	9.5	9.0	19.0	HORIZONTAL
44515	16.0	35.0	5.5	9.5	9.0	16.0	HORIZONTAL

CABIN HOOK, SS304 OR SS316



Part No. 304	Part No. 316	A mm	B mm	C mm	D mm	E mm	F mm	G mm	H mm	I mm
40333	40335	17.50	9.00	7.90	6.50	25.80	20.40	37.90	2.80	79.30
40334	40336	17.50	9.00	7.90	6.50	25.80	20.40	37.90	2.80	103.00