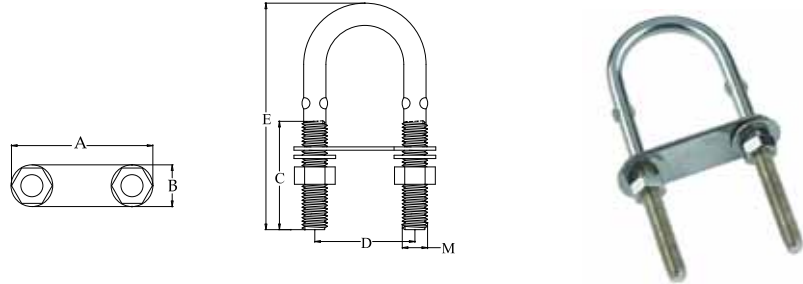


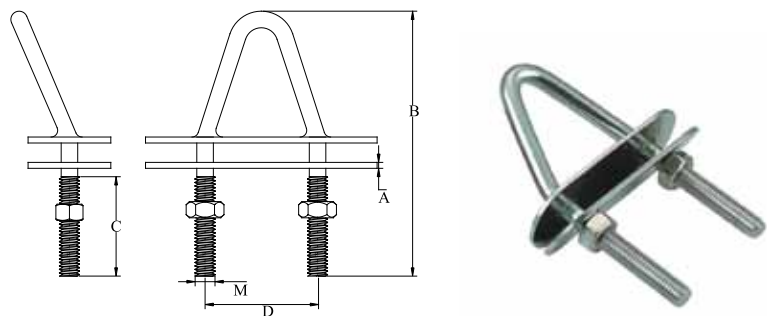


U-BOLT WITH WASHER AND NUT, SS304 OR SS316



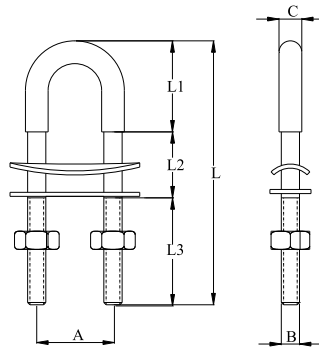
Part No. 304	Part No. 316	A mm	B mm	C mm	D mm	E mm	M mm
41117	41121	45.00	12.00	30.00	30.00	60.00	M4
41118	41122	50.00	13.00	39.00	35.00	80.00	M5
41119	41123	50.00	15.00	40.00	35.00	90.00	M6
19192	41124	50.00	15.00	40.00	35.00	80.00	M8
19193	41125	50.00	15.00	50.00	35.00	100.00	M8
30051	41126	70.00	20.00	55.00	50.00	91.00	M10
19194	41128	70.60	20.00	55.00	50.00	130.00	M10
19195	41129	83.00	23.00	73.60	58.60	150.00	M12

V-BOLT WITH WASHER AND NUT, SS304 OR SS316



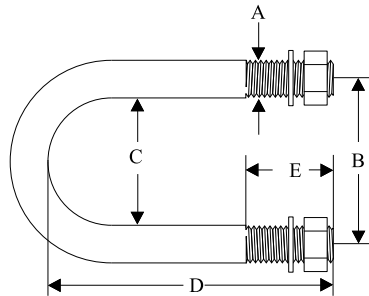
Part No. 304	Part No. 316	A mm	B mm	C mm	D mm	M mm
41130	41136	2.00	79.80	30.00	35.00	M6
41131	41137	2.00	101.00	40.00	35.00	M6
41132	41138	2.00	81.00	29.00	41.00	M8
41133	41139	2.00	100.50	40.00	41.00	M8
41134	41140	2.00	100.50	40.00	49.00	M10
41135	41141	1.80	121.00	50.00	49.00	M10

U-BOLT WITH WASHER AND NUT, SS304 OR SS316



Part No. 304	Part No. 316	A mm	B mm	C mm	L mm	L1 mm	L2 mm	L3 mm
41155	41161	35.50	M8	10.00	65.00	39.50	3.00	23.30
41156	41162	35.50	M8	10.00	76.00	39.60	5.00	32.40
41157	41163	35.50	M8	10.00	90.00	39.00	4.00	47.00
41152	41158	35.00	M8	10.00	115.00	39.00	29.00	47.00
41153	41159	35.50	M8	10.00	140.00	40.00	54.00	47.00
41154	41160	35.50	M8	10.00	165.00	45.00	73.00	47.00

U BOLTS WITH NUT AND FLAT WASHERS



Part No. 316	Size (N.B)	Part No. 316	Size (O.D)	A mm	B mm	C mm	D mm	E mm
-	-	16289	3/4	1/4" unc	27.00	21.00	35.00	15.00
14435	1/2	-	7/8	1/4" unc	29.00	23.00	40.50	16.00
14314	3/4	-	1	1/4" unc	33.00	27.00	46.00	16.00
-	-	16292	1 1/4	1/4" unc	39.00	33.00	51.50	25.00
14315	1	-	1 3/8	1/4" unc	41.00	35.00	60.00	28.00
-	-	16294	1 1/2	1/4" unc	46.00	40.00	65.00	28.00
14316	1 1/4	-	1 11/16	1/4" unc	51.00	45.00	71.00	30.00
14317	1 1/2	-	2	1/4" unc	58.00	52.00	82.00	30.00
14318	2	-	2 3/8	1/4" unc	68.00	62.00	88.00	35.00
14436	2 1/2	-	3	5/16" unc	86.00	78.00	107.00	40.00
14437	3	-	3 3/8	5/16" unc	100.00	92.00	134.00	45.00
16523	4	-	-	3/8" unc	126.00	116.00	169.00	45.00
19129	6	-	-	1/2" unc	190.00	176.00	219.00	50.00