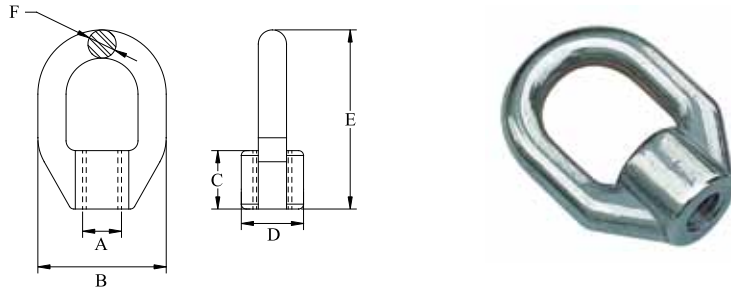
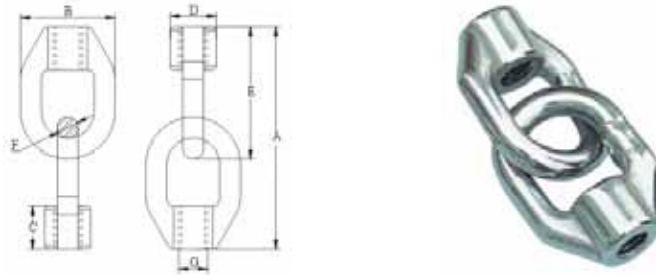


LIFTING EYE NUT, SS304 OR SS316



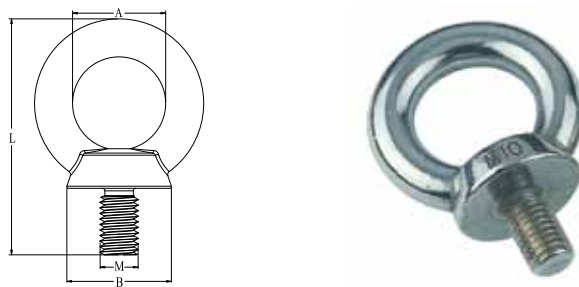
Part No. 304	Part No. 316	A mm	B mm	C mm	D mm	E mm	F mm	SWL kgs	BL kgs
40129	40130	M8	26.40	12.00	13.00	36.80	5.70	500	2000

DOUBLE EYE WITH INTERNAL THREAD, SS304 OR SS316



Part No. 304	Part No. 316	A mm	B mm	C mm	D mm	E mm	F mm	G mm
40131	40132	62.00	26.40	12.00	13.00	36.30	5.70	M8

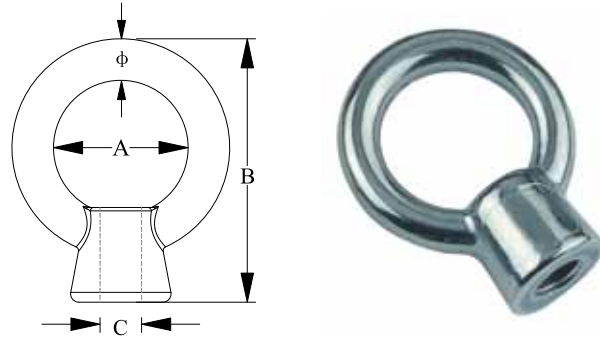
EYE BOLT, SS304 OR SS316



Part No. 304	Part No. 316	A mm	B mm	L mm	M mm	SWL kgs	BL kgs
40133	40141	15.70	18.50	41.00	M6	325	1300
40134	40142	20.30	20.60	49.50	M8	550	2000
40135	40143	25.30	26.00	62.00	M10	650	2600
40136	40144	30.00	33.00	74.00	M12	975	3900
40137	40145	35.00	40.00	91.50	M16	1750	7000
40138	40146	40.00	44.00	103.00	M20	2500	10000
40139	40147	50.00	55.00	125.20	M24	3000	12000
40140	40148	59.50	73.20	154.00	M30	4500	18000

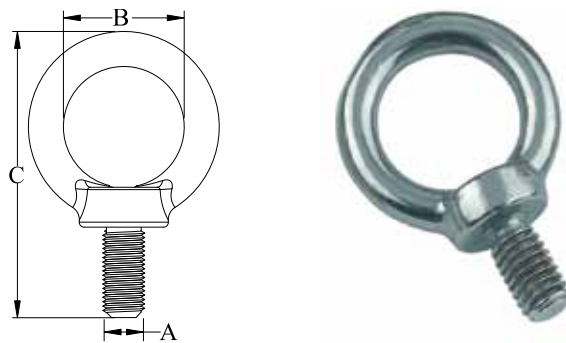


LIFTING EYE NUT (SUS TYPE), SS304 OR SS316



Part No. 304	Part No. 316	φ mm	A mm	B mm	C mm	SWL kgs	BL kgs
40179	30034	5.00	16.00	31.00	M6	60	240
40180	30035	5.80	20.00	38.50	M8	80	320
40175	30036	7.60	25.00	49.00	M10	150	600
40176	30037	8.80	30.00	60.00	M12	220	880
40177	30038	12.00	35.00	70.50	M16	450	1800
40178	40187	15.80	40.00	85.50	M20	630	2520
-	44022	19.00	50.50	102.60	M24	950	3800

EYE BOLT (SUS TYPE), SS304 OR SS316



Part No. 304	Part No. 316	A mm	B mm	C mm	SWL kgs	BL kgs
40149	30031	M6	16.80	37.40	60	240
40150	30032	M8	20.60	47.00	80	320
40151	30033	M10	25.60	60.70	150	600
40152	33724	M12	29.70	72.30	220	880
40153	40161	M16	35.00	86.00	450	1800
-	44508	M20	40.50	103.00	630	2520
-	44509	M24	45.50	129.00	950	3800